

BIDANG PENDIDIKAN DAN PENGAJARAN

BERITA ACARA PERKULIAHAN

KULIAH ONLINE (LEARNING)

PERIODE SEMESTER GENAP 2021-2022

MATA KULIAH

MESIN-MESIN LISTRIK

LAMPIRAN BERITA ACARA PERKULIAHAN

- 1. SK DEKAN FTI SEMESTER GANJIL 2021-2022*
- 2. PRESENSI KEHADIRAN DOSEN DAN MATERI AJAR*
- 3. CONTOH HAND OUT MATERI AJAR*
- 4. NILAI KOMULATIF : KEHADIRAN, TUGAS, UTS DAN UAS*

PROGRAM STUDI TEKNIK ELEKTRO

FAKULTAS TEKNOLOGI INDUSTRI

INSTITUT SAINS DAN TEKNOLOGI NASIONAL



YAYASAN PERGURUAN CIKINI
INSTITUT SAINS DAN TEKNOLOGI NASIONAL

Jl. Moh. Kahfi II, Bhumi Srengseng Indah, Jagakarsa, Jakarta Selatan 12640
Telp. 021-7270090 (hunting), Fax. 021-7866955, hp: 081291030024
Email : humas@istn.ac.id Website : www.istn.ac.id

SURAT PENUGASAN TENAGA PENDIDIK

Nomor : 148 / 03.1 – G / III / 2022

SEMESTER **GENAP**, TAHUN AKADEMIK 2021 / 2022

Nama : **Sugianto,Ir,MT** Status Pegawai : Edukatif Tetap / Tidak Tetap
NIK : **186489** Program Studi : Teknik Elektro
Jabatan Akademik : **Lektor**

Bidang	Perincian Kegiatan	Tempat	Jam/ Minggu	Kinerja (sks)	Keterangan	
I PENDIDIKAN Dan PENGAJARAN	MENGAJAR DI KELAS (KULIAH / RESPONSI DAN LABORATORIUM)					
	1.Ekonomi Teknik (Kls A)					
	2.Elektronika Daya (Kls A)			2	Kamis,13.00-14.40	
	3.Mesin Mesin Listrik (Kls A)			2	Kamis,08.00-09.40	
	4.Ekonomi Tehnik(Kls K)			3	Rabu, 10.00-12.30	
	5. Transformator (Kls A)			2	Jumat,19.00-20.40	
	6.			2	Senin, 10:00 - 11.40	
	7.					
	8.					
	9.					
	10.					
	11.					
	12.					
	13.					
	14.					
	15.					
	16.					
	17. Membimbing Skripsi / Tugas Akhir				1	
18. Menguji Skripsi / Tugas Akhir				1		
II PENELITIAN	1. Penelitian Ilmiah					
	2. Penulisan Karya Ilmiah					
	3. Penulisan Diktat Kuliah					
	4. Menerjemahkan Buku					
	5. Pembuatan Rancangan Teknologi					
	6. Pembuatan Rancangan & Karya Pertunjukan					
III PENGABDIAN DAN MASYARAKAT	1. Menduduki Jabatan di Pemerintahan					
	2. Pengembangan Hasil Pendidikan Dan Penelitian					
	3. Memberikan Penyuluhan/Pelatihan/Ceramah pada masyarakat				1	
	4. Memberikan Pelayanan Kepada Masyarakat Umum				1	
	5. Menulis Karya Pengabdian Pada Masyarakat yang tidak dipublikasikan					
	6. Komersial / Kesepakatan					
IV UNSUR-UNSUR PENUNJANG	1. Jabatan Struktural					
	2. Penasehat Akademik					
	3. Berperan serta aktif dalam pertemuan ilmiah / seminar					
	4. Pengembangan program kuliah / Kelompok Ilmu Elektro					
	5. Menjadi anggota panitia / Badan pada suatu Perguruan Tinggi					
	6. Menjadi anggota Badan Lembaga Pemerintah					
	7. Menjadi Anggota Organisasi Profesi					
	8. Mewakili PT / Lembaga Pemerintah duduk dalam Panitia antar Lembaga					
	9. Menjadi Anggota Delegasi Nasional ke Parlemen – Parlemen Internasional					
Jumlah Total				15		

Kepada yang bersangkutan akan diberikan gaji / honorarium sesuai dengan peraturan penggajian yang berlaku di Institut Sains dan Teknologi Nasional
Penugasan ini berlaku dari tanggal **21 Maret 2022** sampai dengan tanggal **31 Agustus 2022**.

Jakarta, 21 Maret 2022
Dekan,

ISTN (Dr. Musfirah Cahya F.T.S.Si., M.Si.)

Tembusan :

1. Direktur Akademik – ISTN
2. Direktur Non Akademik – ISTN
3. Ka. Biro Sumber Daya Manusia – ISTN
4. Kepala Program Studi Fak.
5. Arsip



BERITA ACARA PERKULIAHAN
(PRESENTASI KEHADIRAN DOSEN)
SEMESTER GENAP TAHUN AKADEMIK 2021/2022
PROGRAM STUDI TEKNIK ELEKTRO S.1 & D.III -ISTN

Mata Kuliah	: MESIN MESIN LISTRIK	Semester	: 6
Dosen	: 1. Dr. Ir. H. Abdul Multi, M.T 2. Sugianto, Ir. MT.	SKS	: 3
Hari	: Rabu	Kelas	: A
Jam	: 10:00-12:30	Ruang	: Zoom Meeting

No.	TANGGAL	MATERI KULIAH	JML MHS HADIR	TANDA TANGAN DOSEN
1.	23/03/2022	<ul style="list-style-type: none">- INTRODUCTION/PREFACE- Lecture material- References/books	4	
2.	30/03/2022	Jenis-Jenis : - Mesin Listrik, <ul style="list-style-type: none">- Belitan- Mesin Sinkron, - Suplai daya dc ke rotor	4	
3.	06/04/2022	<ul style="list-style-type: none">- Tegangan Yang Dibangkitkan Internal- Rangkaian Ekuivalen Generator	4	
4.	13/04/2022	Rangkaian Ekuivalen Generator Sinkron	4	
5.	20/04/2022	Diagram Phasor & Aliran Daya	4	
6.	27/04/2022	Pengujian Generator Sinkron	4	
7.	04/05/2022	Libur Idul Fitri 1443 H	4	
8.	11/05/2022	Ujian Tengah Semester	4	

Jakarta, Juli 2022

DOSEN PENGAJAR

(.Dr.Ir.H.Abdul Multi MT.)



BERITA ACARA PERKULIAHAN
(PRESENTASI KEHADIRAN DOSEN)
SEMESTER GENAP TAHUN AKADEMIK 2021/2022
PROGRAM STUDI TEKNIK ELEKTRO S.1 & D.III –ISTN

Mata Kuliah	: Mesin –mesin Listrik	Semester	: Genap 2021/2022
Dosen	: Dr. Ir. H. Abdul Multi, MT/ Ir. Sugiarto, MT	SKS	: 3
Hari	: Rabu	Kelas	: Program S1
Jam	10:00 – 11:40	Ruang	: On line

No.	TANGGAL	MATERI KULIAH	JML MHS HADIR	TANDA TANGAN DOSEN
1.	18-5-2022	Konsep Dasar Motor Induksi Phase 3, Kontruksi dan Bagian-Bagiannya.	4	
2.	25-5-2022	Konsep Motor Slip, Daya Input/Output dan Torsi Beban	4	
3.	1-6-2022	Daya dan Torsi Induksi Motor Serta Rugi-Rugi Motor dan Diagram Daya	4	
4.	8-6-2021	Effisiensi Motor Induksi, Daya Input dan Output Serta contoh2 Soal.	3	
5.	15-6-2021	Rangkaian Induksi Motor, Rangkaian Impedansi dan Menghitung Z impedansi.	2	
6.	22-6-2021	Menghitung Impedansi Total dan Rangkaian Ekuivalen dan Torsi Induksi.	3	
7.	29-6-2021	Menghitung Daya-daya dan Cointoh contoh Soal.	4	
8.		UJIAN AKHIR SEMESTER		

DOSEN PENGAJAR

(Ir. Sugiarto, MT)

DAFTAR NILAI

SEMESTER GENAP REGULER TAHUN 2021/2022

Program Studi : Teknik Elektro S1

Matakuliah : Mesin Mesin Listrik

Kelas / Peserta : A

Perkuliahan : Kampus ISTN Bumi Srengseng Indah

Dosen : Dr. Ir. H. Abdul Multi, MT

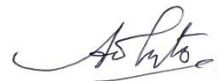
Hal. 1/1

No	NIM	N A M A	ABSEN	TUGAS	UTS	UAS	MODEL	PRESENTASI	NA	HURUF
			10%	20%	30%	40%	0%	0%		
1	16220031	Raihan Shodiq	100	60	60	50	0	0	60	C
2	16220037	Tirta Bayu Saputra	100	0	0	0	0	0	0	
3	17220006	Immanuel Risky Maya Putra	100	70	50	75	0	0	69	B
4	19220004	Abdullah Khoirurafifil Umam	100	70	55	70	0	0	68.5	B

Rekapitulasi Nilai							
A	0	B+	0	C+	0	D+	0
A-	0	B	2	C	1	D	0
		B-	0	C-	0	E	0

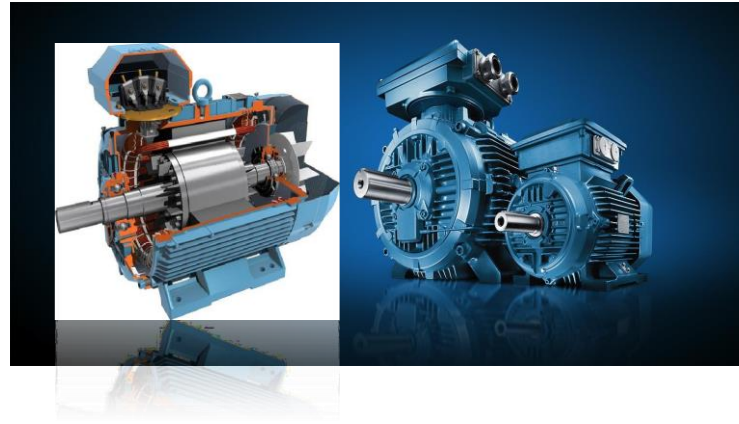
Jakarta, 1 August 202

Dosen Pengajar



Dr. Ir. H. Abdul Multi, MT Sugianto, Ir. MT

Motor Induksi



KULIAH MOTOR INDUKSI

DI SUSUN OLEH :
SUGIANTO,IR.MT & DR.A. MULTI .IR.MT



AC machines are generators that convert mechanical energy to ac electrical energy and motors that convert ac electrical energy to mechanical energy. The fundamental principles of ac machines are very simple, but unfortunately, they are somewhat obscured by the complicated construction of real machines. This chapter will first explain the principles of ac machine operation using simple examples, and then consider some of the complications that occur in real ac machines.

There are two major classes of ac machines—synchronous machines and induction machines. *Synchronous machines* are motors and generators whose magnetic field current is supplied by a separate dc power source, while *induction machines* are motors and generators whose field current is supplied by magnetic induction (transformer action) into their field windings. The field circuits of most synchronous and induction machines are located on their rotors. This chapter covers some of the fundamentals common to both types of three-phase ac machines. Synchronous machines will be covered in detail in Chapters 5 and 6, and induction machines will be covered in Chapter 7.

Ac machines differ from dc machines in that their *armature windings* are almost always located on the *stator*, while their *field windings* are located on the *rotor*. The rotating magnetic field from the rotor field windings of an ac machine induces a three-phase set of ac voltages into its stator armature windings. Conversely, a three-phase set of currents in the stator armature windings produces a rotating magnetic field which interacts with the rotor magnetic field, producing a torque in the machine. These two effects are the ac machine's version of generator action and motor action, and they must be thoroughly understood in any study of ac machines.

INDUCTION MOTORS

In the last chapter, we saw how amortisseur windings on a synchronous motor could develop a starting torque without the necessity of supplying an external field current to them. In fact, amortisseur windings work so well that a motor could be built without the synchronous motor's main dc field circuit at all. A machine with only amortisseur windings is called an *induction machine*. Such machines are called induction machines because the rotor voltage (which produces the rotor current and the rotor magnetic field) is *induced* in the rotor windings rather than being physically connected by wires. The distinguishing feature of an induction motor is that *no dc field current is required* to run the machine.

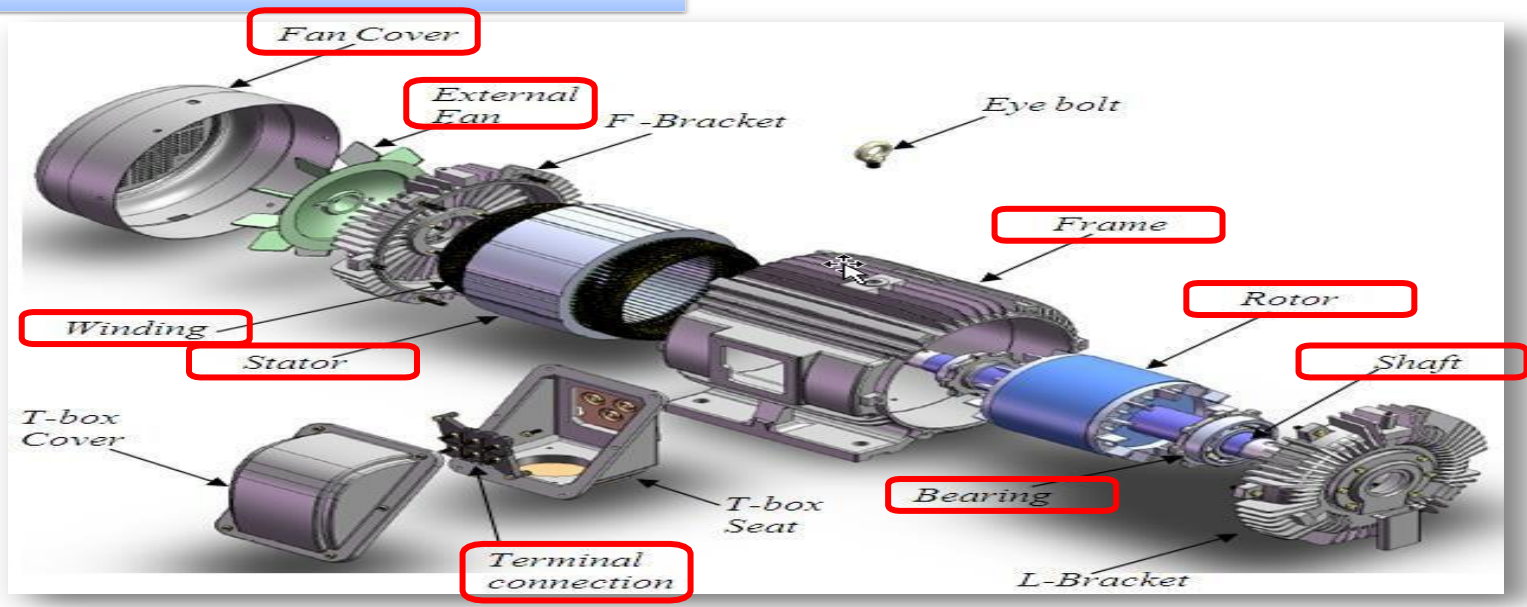
Although it is possible to use an induction machine as either a motor or a generator, it has many disadvantages as a generator and so is rarely used in that manner. For this reason, induction machines are usually referred to as induction motors.

7.1 INDUCTION MOTOR CONSTRUCTION

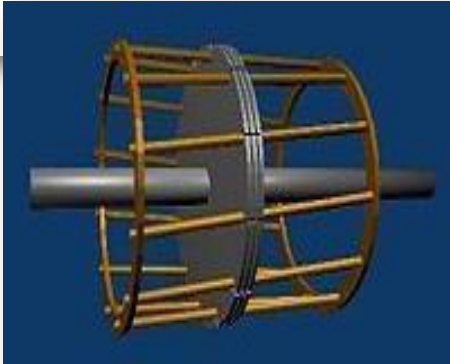
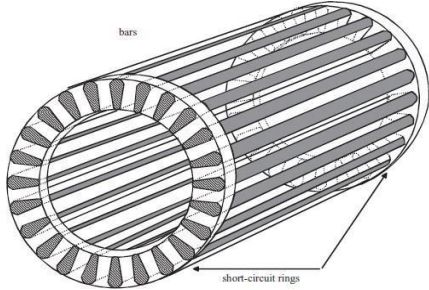
An induction motor has the same physical stator as a synchronous machine, with a different rotor construction. A typical two-pole stator is shown in Figure 7–1. It looks (and is) the same as a synchronous machine stator. There are two different types of induction motor rotors which can be placed inside the stator. One is called a *cage rotor*, while the other is called a *wound rotor*.

Figures 7–2 and 7–3 show cage induction motor rotors. A cage induction motor rotor consists of a series of conducting bars laid into slots carved in the face of the rotor and shorted at either end by large *shorting rings*. This design is referred to as a cage rotor because the conductors, if examined by themselves, would look like one of the exercise wheels that squirrels or hamsters run on.

Konstruksi Motor Induksi



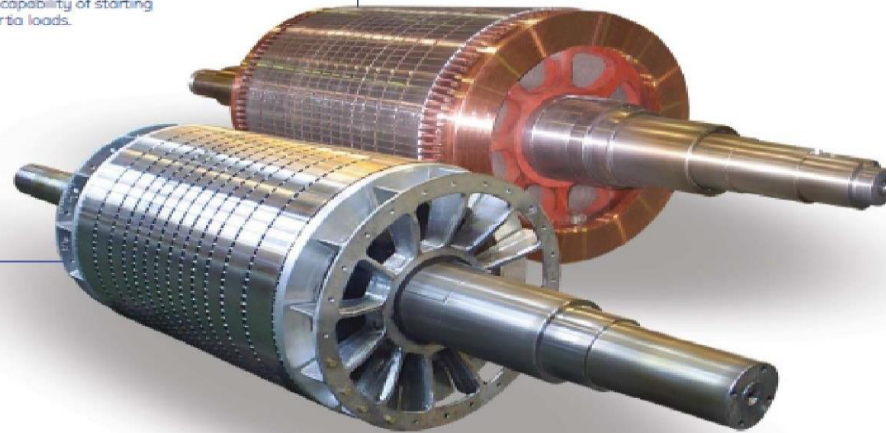
cage rotor,



squirrel-cage rotor

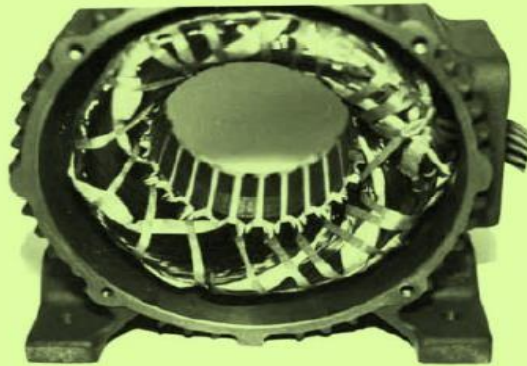
Copper Squirrel Cage Construction

- Copper bar rotor construction is available upon request, or to meet API 541 4th Edition Specification.
- Greater capability of starting high inertia loads.



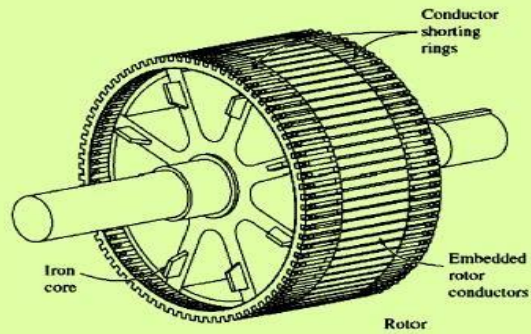
Aluminum Squirrel Cage Construction

- Fabricated aluminum rotor windings are repairable. GE Motors Ai-Tight® construction is available now on fabricated aluminum rotors. This new process technique assures rotor integrity and reliable performance.
- Bar tension maintains punching tightness.
- A larger number of rotor bar shapes for optimum torque vs. slip designs.
- Cage migration eliminated with end-rings tight against the punchings.
- Lower rotor inertia. Lower weight bars and end-rings reduce the centrifugal force, retaining rings are not required on the end-ring for standard designs.
- Closed rotor slots, reduced windage noise.



the stator

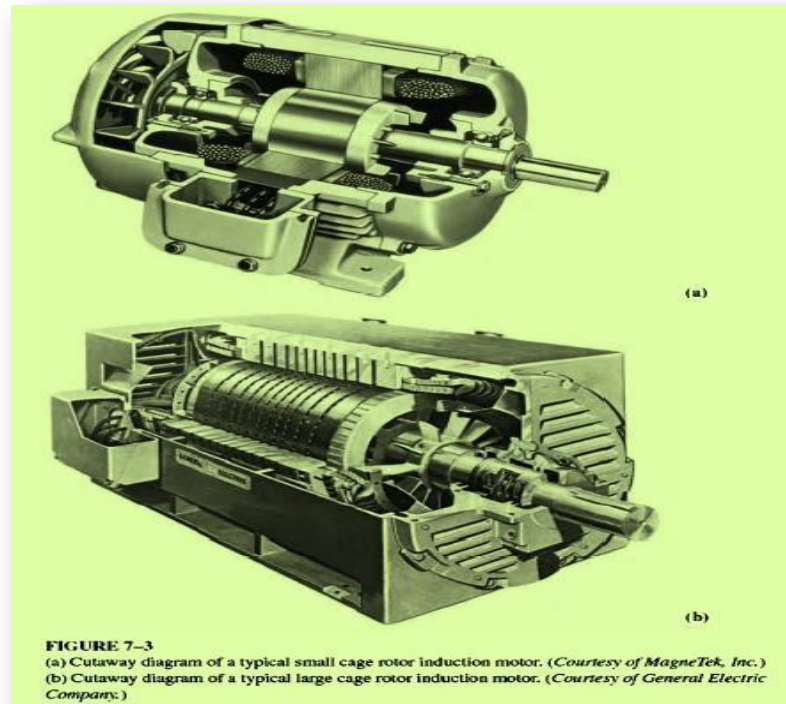
FIGURE 7-1
The stator of a typical induction motor, showing the stator windings. (Courtesy of MagneTek, Inc.)



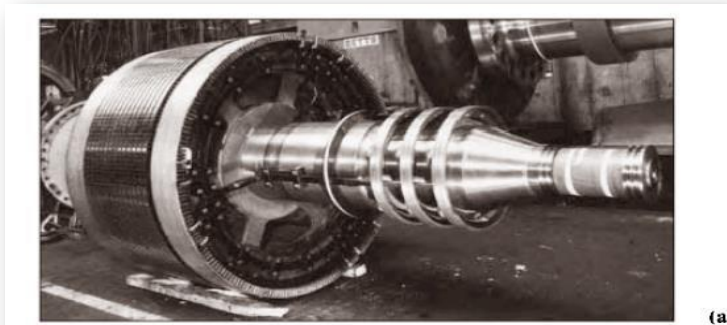
cage rotor,

(a)

cage rotor,



The other type of rotor is a wound rotor. A *wound rotor* has a complete set of three-phase windings that are mirror images of the windings on the stator. The three phases of the rotor windings are usually Y-connected, and the ends of the three rotor wires are tied to slip rings on the rotor's shaft. The rotor windings are shorted through brushes riding on the slip rings. Wound-rotor induction motors therefore have their rotor currents accessible at the stator brushes, where they can be examined and where extra resistance can be inserted into the rotor circuit. It is possible to take advantage of this feature to modify the torque–speed characteristic of the motor. Two wound rotors are shown in Figure 7–4, and a complete wound-rotor induction motor is shown in Figure 7–5.

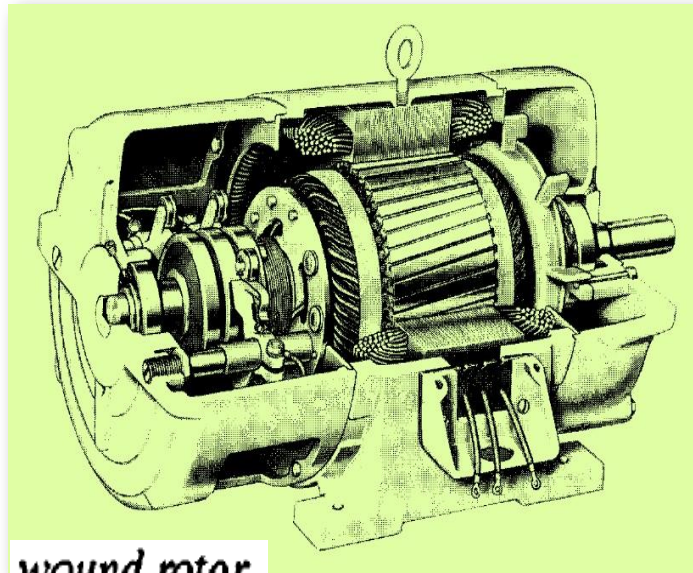


(a)

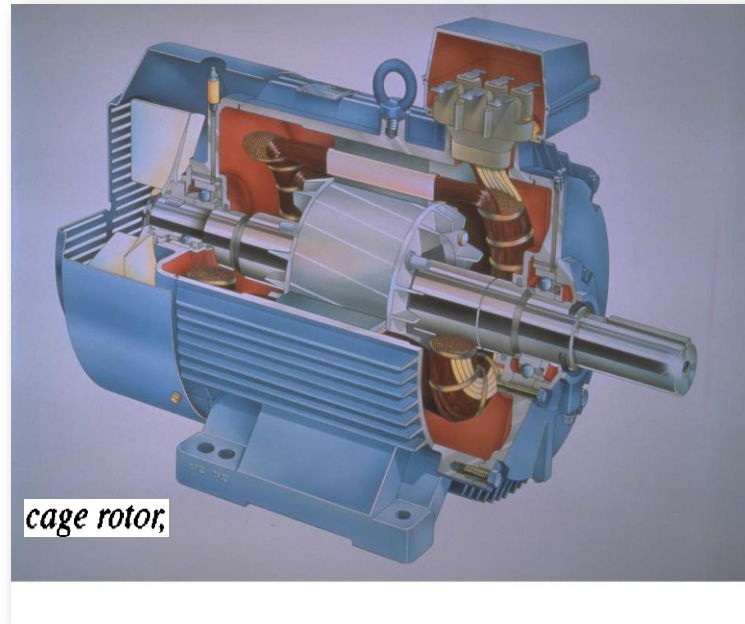
wound rotor.

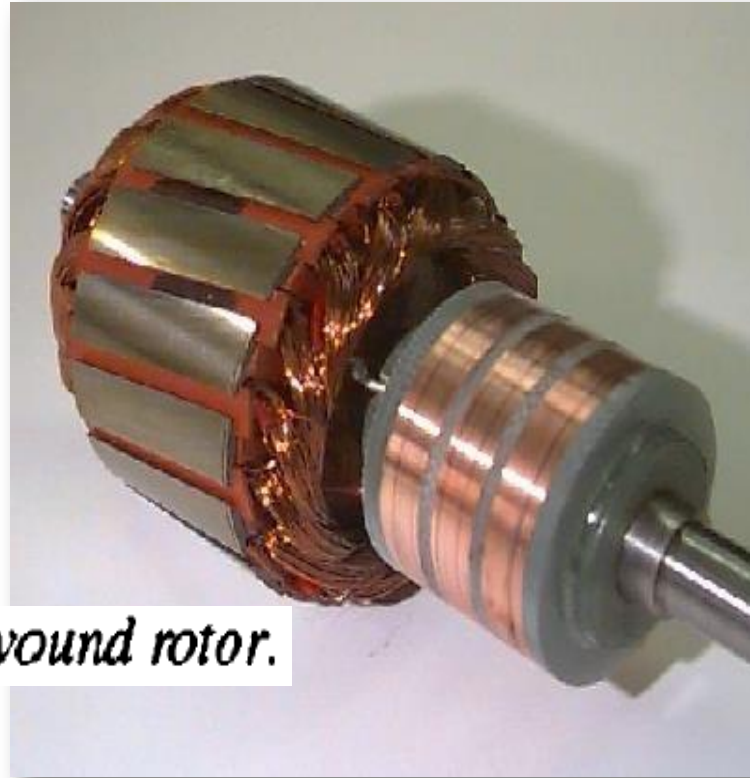


(b)



wound rotor.



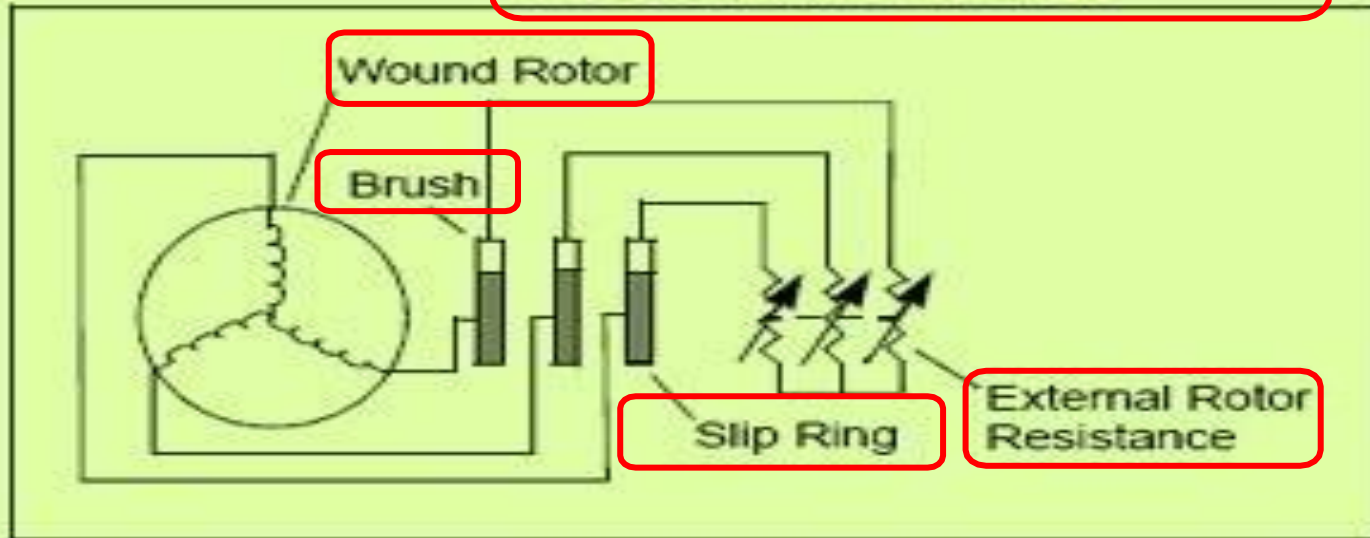


wound rotor.



wound rotor.

TYPICAL WOUND-ROTOR INDUCTION MOTOR



Wound-rotor induction motors are more expensive than cage induction motors, and they require much more maintenance because of the wear associated with their brushes and slip rings. As a result, wound-rotor induction motors are rarely used.

7.2 BASIC INDUCTION MOTOR CONCEPTS

Induction motor operation is basically the same as that of amortisseur windings on synchronous motors. That basic operation will now be reviewed, and some important induction motor terms will be defined.

The Development of Induced Torque in an Induction Motor

Figure 7–6 shows a cage rotor induction motor. A three-phase set of voltages has been applied to the stator, and a three-phase set of stator currents is flowing. These currents produce a magnetic field \mathbf{B}_s , which is rotating in a counterclockwise direction. The speed of the magnetic field's rotation is given by

$$n_{sync} = \frac{120 f_e}{P}$$

(7-1)

where f_e is the system frequency in hertz and P is the number of poles in the machine. This rotating magnetic field \mathbf{B}_s passes over the rotor bars and induces a voltage in them.

The voltage induced in a given rotor bar is given by the equation

$$e_{\text{ind}} = (\mathbf{v} \times \mathbf{B}) \cdot \mathbf{l} \quad (1-45)$$

where \mathbf{v} = velocity of the bar *relative to the magnetic field*

\mathbf{B} = magnetic flux density vector

\mathbf{l} = length of conductor in the magnetic field

It is the *relative* motion of the rotor compared to the stator magnetic field that produces induced voltage in a rotor bar. The velocity of the upper rotor bars relative to the magnetic field is to the right, so the induced voltage in the upper bars is out of the page, while the induced voltage in the lower bars is into the page. This results in a current flow out of the upper bars and into the lower bars. However, since the rotor assembly is inductive, the peak rotor current lags behind the peak rotor voltage (see Figure 7-6b). The rotor current flow produces a rotor magnetic field \mathbf{B}_R .

Finally, since the induced torque in the machine is given by

$$\tau_{\text{ind}} = k\mathbf{B}_R \times \mathbf{B}_s \quad (4-58)$$

the resulting torque is counterclockwise. Since the rotor induced torque is counterclockwise, the rotor accelerates in that direction.

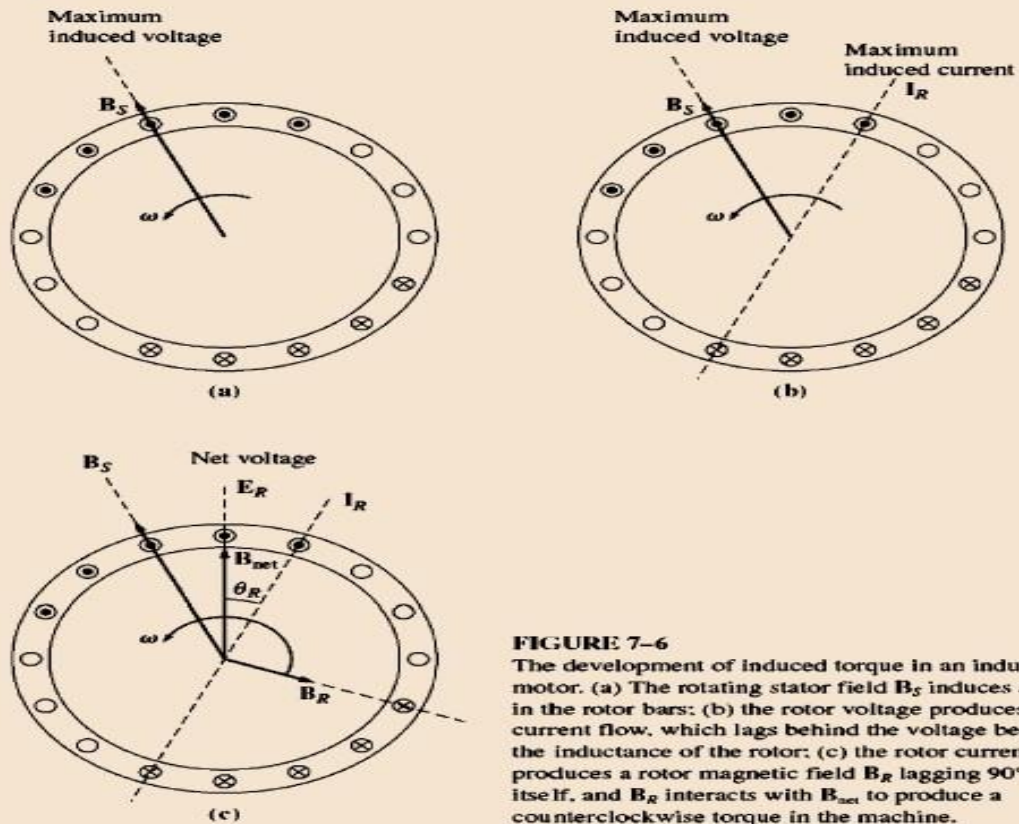


FIGURE 7-6

The development of induced torque in an induction motor. (a) The rotating stator field B_S induces a voltage in the rotor bars; (b) the rotor voltage produces a rotor current flow, which lags behind the voltage because of the inductance of the rotor; (c) the rotor current produces a rotor magnetic field B_R lagging 90° behind itself, and B_R interacts with B_{net} to produce a counterclockwise torque in the machine.

There is a finite upper limit to the motor's speed, however. If the induction motor's rotor were turning at *synchronous speed*, then the rotor bars would be stationary *relative to the magnetic field* and there would be no induced voltage. If e_{ind} were equal to 0, then there would be no rotor current and no rotor magnetic field. With no rotor magnetic field, the induced torque would be zero, and the rotor would slow down as a result of friction losses. An induction motor can thus speed up to near-synchronous speed, but it can never exactly reach synchronous speed.

Note that in normal operation *both the rotor and stator magnetic fields \mathbf{B}_R and \mathbf{B}_S rotate together at synchronous speed n_{sync} , while the rotor itself turns at a slower speed.*

DAFTAR NILAI

SEMESTER GENAP REGULER TAHUN 2021/2022

Program Studi : Teknik Elektro S1

Matakuliah : Mesin Mesin Listrik

Kelas / Peserta : A

Perkuliahan : Kampus ISTN Bumi Srengseng Indah

Dosen : Dr. Ir. H. Abdul Multi, MT

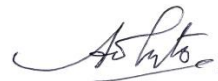
Hal. 1/1

No	NIM	N A M A	ABSEN	TUGAS	UTS	UAS	MODEL	PRESENTASI	NA	HURUF
			10%	20%	30%	40%	0%	0%		
1	16220031	Raihan Shodiq	100	60	60	50	0	0	60	C
2	16220037	Tirta Bayu Saputra	100	0	0	0	0	0	0	
3	17220006	Immanuel Risky Maya Putra	100	70	50	75	0	0	69	B
4	19220004	Abdullah Khoirurafifil Umam	100	70	55	70	0	0	68.5	B

Rekapitulasi Nilai							
A	0	B+	0	C+	0	D+	0
A-	0	B	2	C	1	D	0
		B-	0	C-	0	E	0

Jakarta, 1 August 202

Dosen Pengajar



Dr. Ir. H. Abdul Multi, MT Sugianto, Ir. MT

