

**BIDANG PENDIDIKAN DAN PENGAJARAN**  
**BERITA ACARA PERKULIAHAN**  
**SEMESTER GANJIL 2023-2024**

MATA KULIAH:

**PERANCANGAN SISTEM DIGITAL**

*LAMPIRAN BERITA ACARA PERKULIAHAN :*

1. *SK.DEKAN FTI SEMESTER GANJIL 2023/2024*
2. *PRESENSI KEHADIRAN MHS & DOSEN*
3. *CONTOH HAND OUT MATERI AJAR*
4. *NILAI KOMULATIF; KEHADIRAN, TUGAS, UTS DAN UAS*

**PROGRAM STUDI TEKNIK ELEKTRO**  
**FAKULTAS TEKNIK**  
**INSTITUT SAINS DAN TEKNOLOGI NASIONAL**



YAYASAN PERGURUAN CIKINI  
INSTITUT SAINS DAN TEKNOLOGI NASIONAL

Jl. Moh. Kahfi II, Bhumi Srengseng Indah, Jagakarsa, Jakarta Selatan 12640  
Telp. 021-7270090 (hunting), Fax. 021-7866955, hp: 081291030024  
Email : humas@istn.ac.id Website : www.istn.ac.id

**SURAT PENUGASAN TENAGA PENDIDIK**

Nomor : 278 / 03.1 – G / IX / 2023

SEMESTER **GANJIL** , TAHUN AKADEMIK 2023 / 2024

|                  |                           |                |                                     |
|------------------|---------------------------|----------------|-------------------------------------|
| Nama             | : M. Febriansyah, ST. MT. | Status Pegawai | : Edukatif Tetap / Tidak Tetap      |
| NIK              | : 22101001                | Program Studi  | : Teknik Elektro / Industri / Mesin |
| Jabatan Akademik | : <b>Asisten Ahli</b>     |                |                                     |

| Bidang  | Perincian Kegiatan  | Tempat | Jam / Minggu | Kredit (sks) | Keterangan          |
|---|---|--------|--------------|--------------|---------------------|
| <b>I</b><br>PENDIDIKAN<br>Dan<br>PENGAJARAN   | <b>MENGAJAR DI KELAS ( KULIAH / RESPONSI DAN LABORATORIUM )</b>       |        |              |              |                     |
|   | 1. Estimasi & Identifikasi (Klas A)                                   |        |              | 2            | Selasa, 13:00-15:30 |
|   | 2. Perancangan Sistem Digital (Klas A)                                |        |              | 3            | Kamis, 08:00-10:30  |
|   | 3. Programable Logic Control & Scada (Klas A)                         |        |              | 2            | Jumat, 10:00-11:45  |
|   | 4. Mekatronika (Prodi T. Mesin S1, Klas A)                            |        |              | 3            | Jumat, 08:00-09:40  |
|   | 5. Mekatronika (Prodi T. Mesin S1, Klas K)                            |        |              | 3            | Sabtu, 08:00-10:40  |
|   | 6.  |        |              |              |                     |
|   | 7.  |        |              |              |                     |
|   | 8.  |        |              |              |                     |
|   | 9.  |        |              |              |                     |
|   | 10.   |        |              |              |                     |
|   | 11.   |        |              |              |                     |
|   | 12.   |        |              |              |                     |
|   | 13.   |        |              |              |                     |
|   | 14.   |        |              |              |                     |
|   | 15.   |        |              |              |                     |
|   | 16. Membimbing Skripsi / Tugas Akhir                                  |        |              |              | 1                   |
| 17. Menguji Skripsi / Tugas Akhir             |   |        |              | 1            |                     |
| <b>II</b><br>PENELITIAN                       | 1. Penelitian Ilmiah  |        |              | 1            |                     |
|   | 2. Penulisan Karya Ilmiah   |        |              | 1            |                     |
|   | 3. Penulisan Diktat Kuliah  |        |              | 1            |                     |
| <b>III</b><br>PENGABDIAN<br>DAN<br>MASYARAKAT | 1. Memberikan Penyuluhan/Pelatihan/Ceramah pada masyarakat            |        |              | 1            |                     |
|   | 2. Memberikan Pelayanan Kepada Masyarakat Umum                        |        |              | 1            |                     |
|   | 3. Menulis Karya Pengabdian Pada Masyarakat yang tidak dipublikasikan |        |              |              |                     |
| <b>IV</b><br>UNSUR-UNSUR<br>PENUNJANG         | 1. Jabatan Struktural   |        |              |              |                     |
|   | 2. Penasehat Akademik   |        |              | 1            |                     |
|   | 3. Berperan serta aktif dalam pertemuan ilmiah / seminar              |        |              |              | 1                   |
| Jumlah Total                                  |   |        |              | <b>21</b>    |                     |

Kepada yang bersangkutan akan diberikan gaji / honorarium sesuai dengan peraturan penggajian yang berlaku di Institut Sains Dan Teknologi Nasional  
Penugasan ini berlaku dari tanggal **20 September 2023** sampai dengan tanggal **31 Maret 2024**.



**Tembusan :**

1. Direktur Akademik - ISTN
2. Direktur Non Akademik - ISTN
3. Ka. Biro Sumber Daya Manusia - ISTN
4. Kepala Program Studi Fak. ....
5. Arsip



**BERITA ACARA PERKULIAHAN**  
**(Presentasi Kehadiran Dosen)**  
**SEMESTER GANJIL TAHUN AKADEMIK 2023/2024**  
**PROGRAM STUDI TEKNIK ELEKTRO S1 FTI - ISTN**

Nama Dosen : 1. Irmayani, Ir, MT.  
2. M. Febriansyah, ST., MT  
Mata Kuliah / SKS : Perancangan Sistem Digital / 3  
Kelas/mhs : A / 7 mhs  
Hari : Kamis  
Jam : 08:00-10:30  
Ruang : C3

| No. | Tanggal | Materi Pembelajaran | Metode Belajar | Jml mhs | Paraf Dosen |
|-----|---------|---------------------|----------------|---------|-------------|
|-----|---------|---------------------|----------------|---------|-------------|

|    |            |   |                              |   |    |
|----|------------|---|------------------------------|---|----|
| 1. | 28-09-2023 | 1. Pendahuluan<br>2. Jenis bilangan, konversi dan operasinya                              | Tutorial dan Diskusi         | 6 | 51 |
| 2. | 5-10-2023  | 1. Sistem Kode<br>2. Gate, Boole, Biner   | Tutorial, Diskusi, Tugas     | 6 | 51 |
| 3. | 12-10-2023 | 1. Analisis Rangk- Fungsi-Operasi<br>2. Ekuivalensi Fungsi & Rangkaian                    | Tutorial, Diskusi            | 6 | 51 |
| 4. | 19-10-2023 | 1. Hukum2 & Teorema<br>2. Nand-Nor-Exor-ExNor   | Tutorial, Diskusi-Kuis       | 6 | 51 |
| 5. | 26-10-2023 | 1. Perubahan Bentuk Fungsi<br>2. Minimisasi Cara Aljabar<br>3. Pengenalan Kmap + Pemetaan | Tutorial, Diskusi            | 6 | 51 |
| 6. | 02-11-2023 | Minimisasi metod Kmap.minSOP  | Tutorial-Diskusi-Tugas       | 6 | 51 |
| 7. | 09-11-2023 | Rangkaian Logika Kombinasi<br>Komponen Digital : multiplexer,<br>encoder/decoder, PLA     | Tutorial, Diskusi<br>Latihan | 6 | 51 |
| 8. | 16-11-2023 | Ujian Tengah-Semeter  | Ujian                        | 6 | 51 |

Perancangan Sistem Digital BAP Kls A Ganjil 2023 (Belum Paraf)



**BERITA ACARA PERKULIAHAN**  
**(Presentasi Kehadiran Dosen)**  
**SEMESTER GANJIL TAHUN AKADEMIK 2023/2024**  
**PROGRAM STUDI TEKNIK ELEKTRO S1 FTI - ISTN**

Nama Dosen : 1. Irmayani, Ir, MT.  
2. M. Febriansyah, ST., MT  
Mata Kuliah / sks : Perancangan Sistem Digital / 3  
Kelas/mhs : A / 7 mhs  
Hari : Kamis  
Jam : 08:00-10:30  
Ruang : C3

| No. | Tanggal | Materi Pembelajaran | Metode Belajar | Jml mhs | Paraf Dosen |
|-----|---------|---------------------|----------------|---------|-------------|
|-----|---------|---------------------|----------------|---------|-------------|

|    |          |                                      |                   |   |  |
|----|----------|--------------------------------------|-------------------|---|--|
| 9  | 30/11/23 | Encoder & Decode                     | Tutorial, Diskusi | 6 |  |
| 10 | 7/12/23  | Mux & deMux                          | Tutorial, Diskusi | 6 |  |
| 11 | 14/12/23 | Flip Flop & Timing Diagram           | Tutorial, Diskusi | 6 |  |
| 12 | 21/12/23 | Rangkaian Logika Sekuensial          | Tutorial, Diskusi | 6 |  |
| 13 | 28/12/23 | Analisis Rangkaian Logika Sekuensial | Tutorial, Diskusi | 6 |  |
| 14 | 04/01/24 | 1. Desain RLS<br>2. Desain Register  | Tutorial, Diskusi | 6 |  |
| 15 | 11/02/24 | 3. Desain Counter                    | Tutorial, Diskusi | 6 |  |
| 16 | 18-01-23 | Ujian Akhir Semester                 | Ujian             | 6 |  |

DOSEN PENGAJAR I

( Irmayani, Ir., MT )

DOSEN PENGAJAR II

( M. Febriansyah, ST., MT )



**MATAKULIAH**  
**PERANCANGAN SISTEM DIGITAL**  
**(CODE CONVERTER)**

**M. Febriansyah, ST., MT**

[m.febriansyah.mt@gmail.com](mailto:m.febriansyah.mt@gmail.com)



# CODE CONVERTER

**M. Febriansyah, ST., MT**

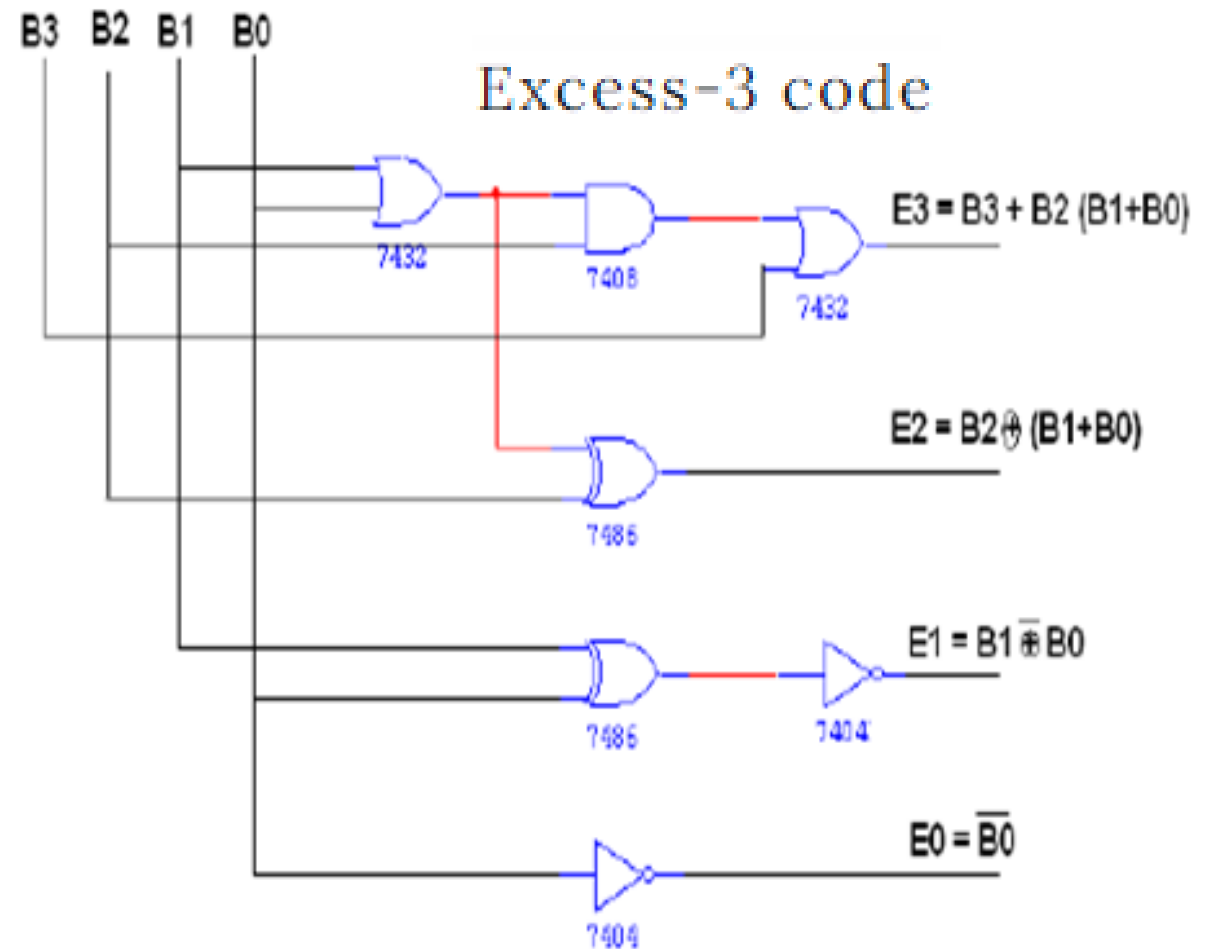
[m.febriansyah.mt@gmail.com](mailto:m.febriansyah.mt@gmail.com)

# DEFINISI CODE CONVERTER

**Code Converter** adalah pengkonversi dari suatu code bilangan ke code bilangan yang lain.

**JENIS-JENIS CONVERTER :**

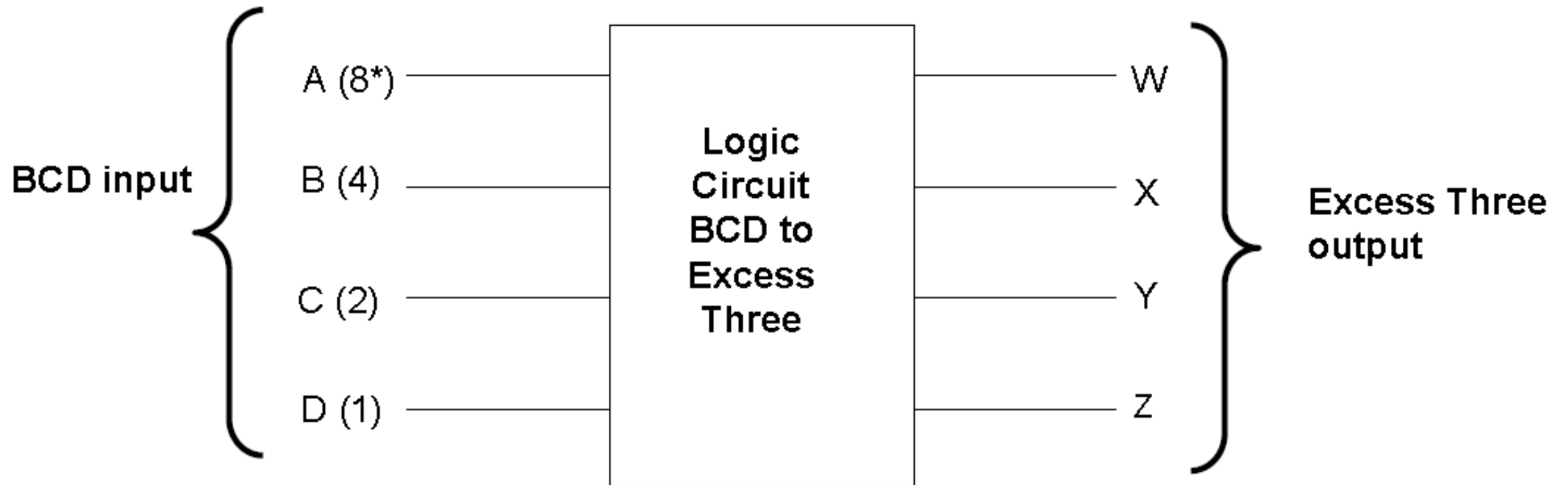
- BCD to Excess Three
- BCD to Seven Segment, atau
- Code-code lainnya.



# JENIS-JENIS CODE CONVERTER

## 1. BCD to Excess Three Converter

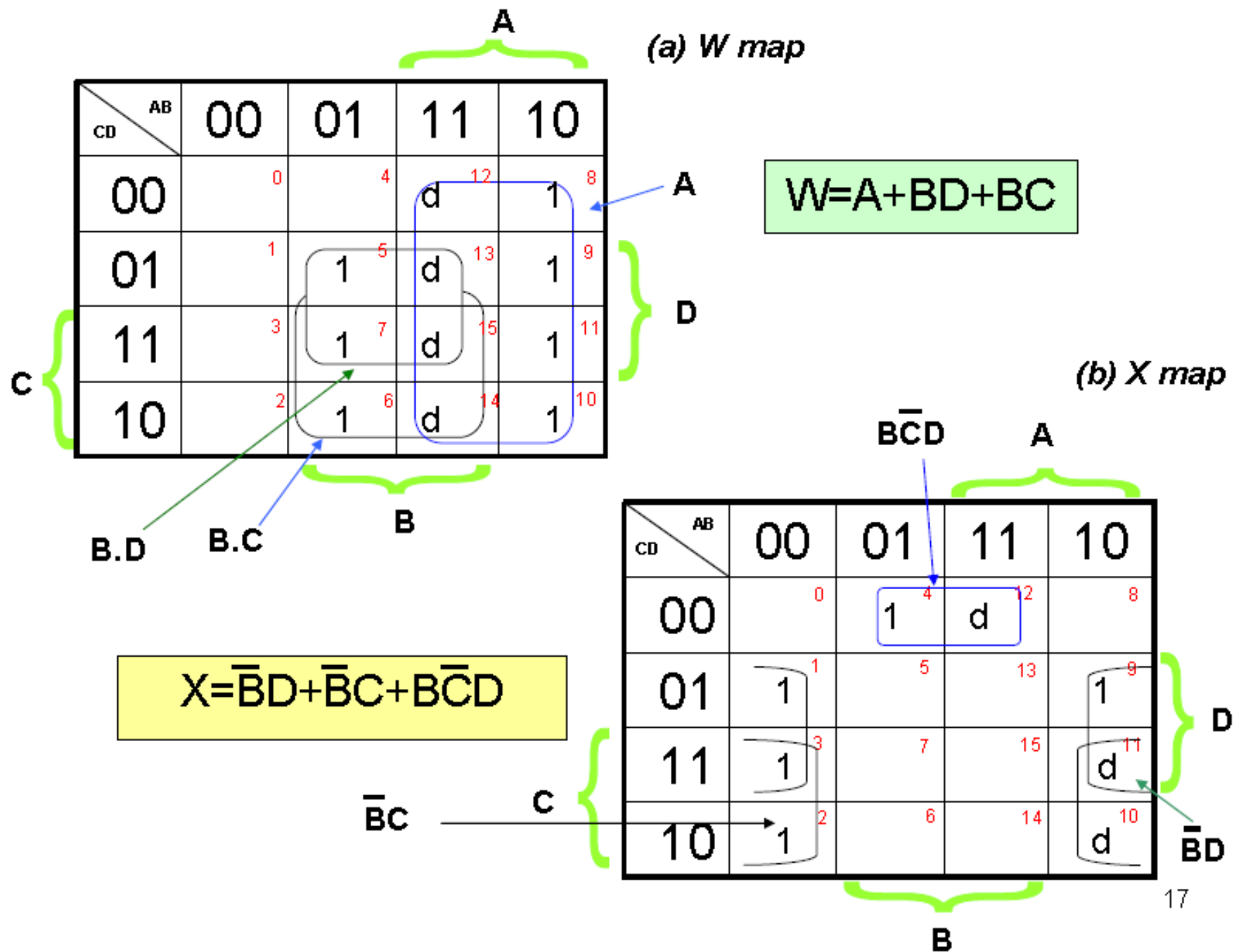
### Blok Diagram BCD to Excess Three Converter

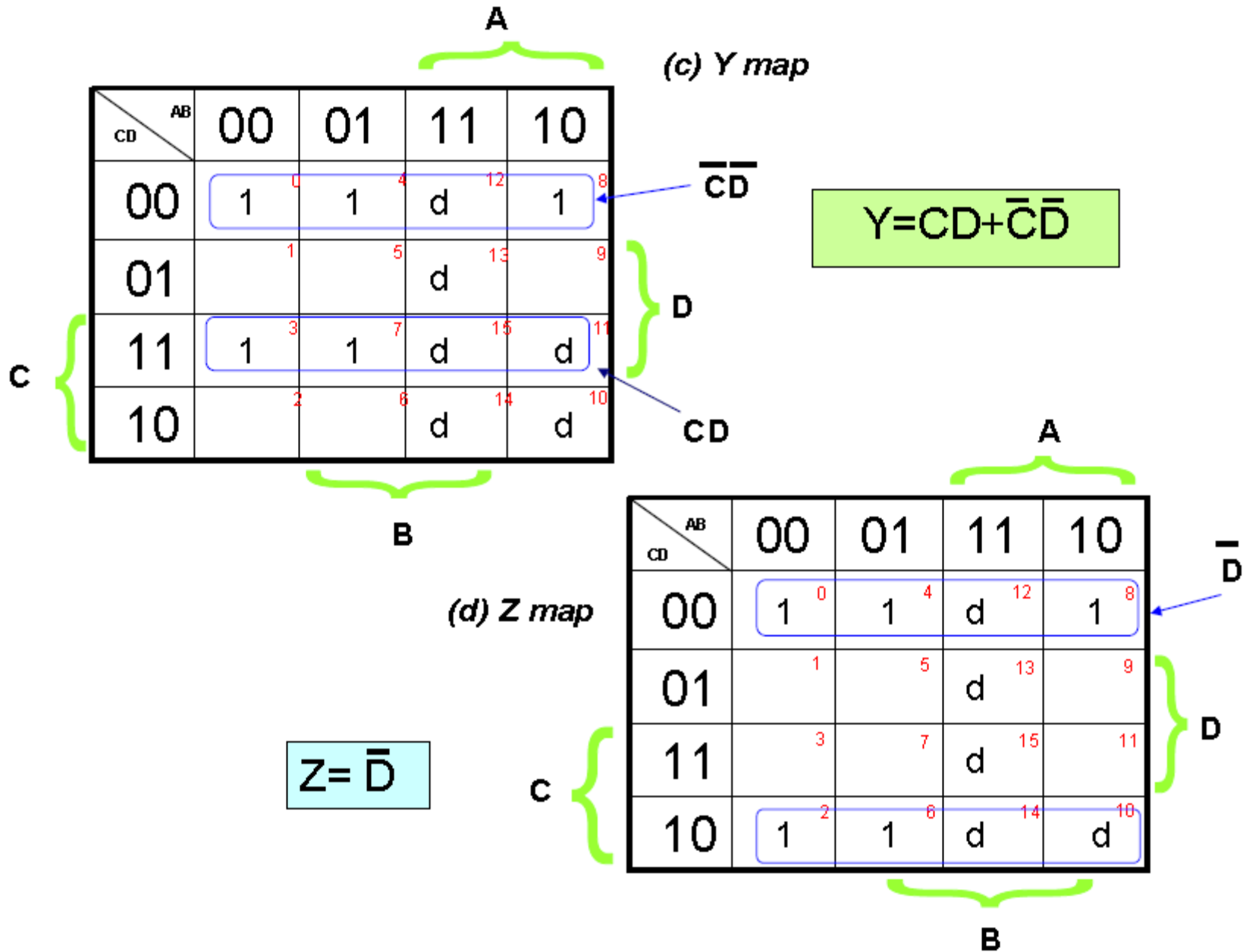




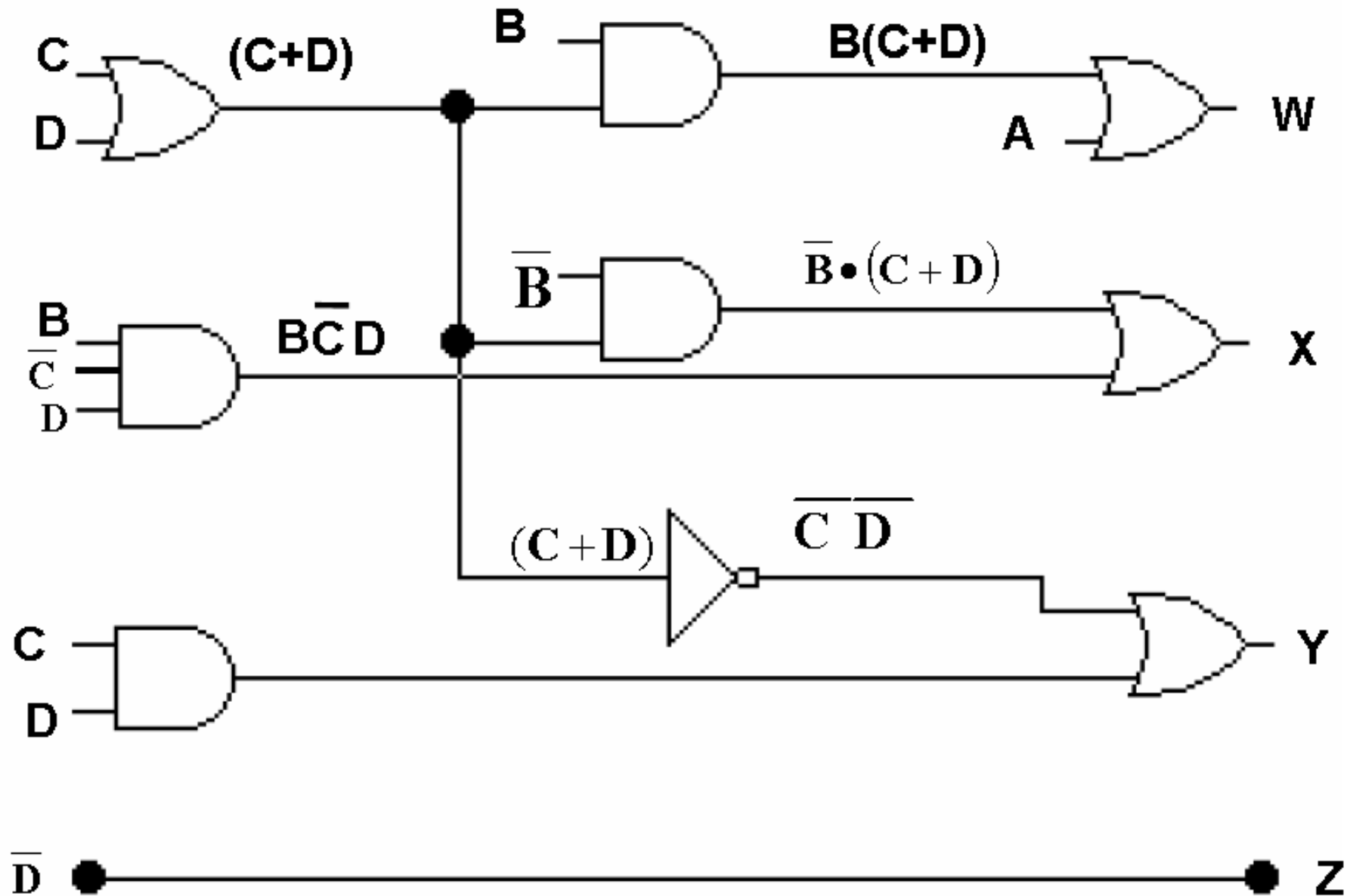
# TABEL CONVERTER BCD TO EXCESS THREE

| Decimal Number<br>(Map Value) | BCD      |          |          |          | Excess-three |   |   |   |
|-------------------------------|----------|----------|----------|----------|--------------|---|---|---|
|                               | A<br>(8) | B<br>(4) | C<br>(2) | D<br>(1) | W            | X | Y | Z |
| 0                             | 0        | 0        | 0        | 0        | 0            | 0 | 1 | 1 |
| 1                             | 0        | 0        | 0        | 1        | 0            | 1 | 0 | 0 |
| 2                             | 0        | 0        | 1        | 0        | 0            | 1 | 0 | 1 |
| 3                             | 0        | 0        | 1        | 1        | 0            | 1 | 1 | 0 |
| 4                             | 0        | 1        | 0        | 0        | 0            | 1 | 1 | 1 |
| 5                             | 0        | 1        | 0        | 1        | 1            | 0 | 0 | 0 |
| 6                             | 0        | 1        | 1        | 0        | 1            | 0 | 0 | 1 |
| 7                             | 0        | 1        | 1        | 1        | 1            | 0 | 1 | 0 |
| 8                             | 1        | 0        | 0        | 0        | 1            | 0 | 1 | 1 |
| 9                             | 1        | 0        | 0        | 1        | 1            | 1 | 0 | 0 |





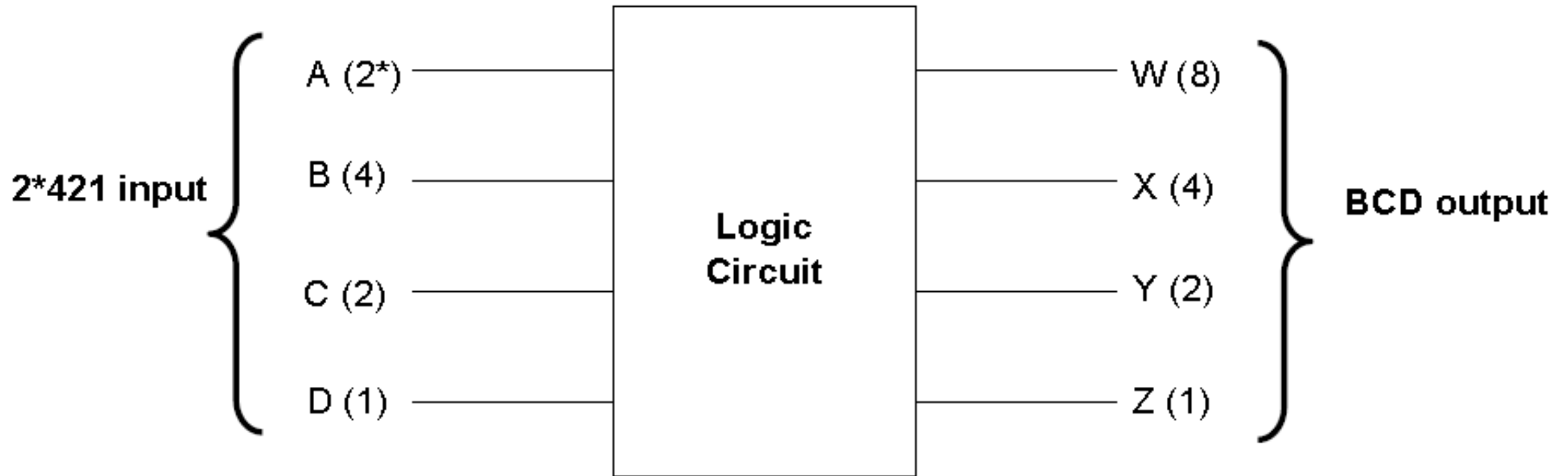
# RANGKAIAN BCD TO EXCESS THREE CONVERTER



# JENIS-JENIS CODE CONVERTER...

## 2. $2^*421$ to BCD Converter

### Blok Diagram $2^*421$ to BCD converter



# TABEL CONVERTER 2\*421 TO 8421 CODE

| Map Value | Decimal Number | A (2*) | B (4) | C (2) | D (1) | W (8) | X (4) | Y (2) | Z (1) |
|-----------|----------------|--------|-------|-------|-------|-------|-------|-------|-------|
| 0         | 0              | 0      | 0     | 0     | 0     | 0     | 0     | 0     | 0     |
| 1         | 1              | 0      | 0     | 0     | 1     | 0     | 0     | 0     | 1     |
| 2         | 2              | 0      | 0     | 1     | 0     | 0     | 0     | 1     | 0     |
| 3         | 3              | 0      | 0     | 1     | 1     | 0     | 0     | 1     | 1     |
| 4         | 4              | 0      | 1     | 0     | 0     | 0     | 1     | 0     | 0     |
| 11        | 5              | 1      | 0     | 1     | 1     | 0     | 1     | 0     | 1     |
| 12        | 6              | 1      | 1     | 0     | 0     | 0     | 1     | 1     | 0     |
| 13        | 7              | 1      | 1     | 0     | 1     | 0     | 1     | 1     | 1     |
| 14        | 8              | 1      | 1     | 1     | 0     | 1     | 0     | 0     | 0     |
| 15        | 9              | 1      | 1     | 1     | 1     | 1     | 0     | 0     | 1     |

|    |    |    |    |    |    |
|----|----|----|----|----|----|
|    |    | AB |    |    |    |
|    |    | 00 | 01 | 11 | 10 |
| CD | 00 | 0  | 4  | 12 | 8  |
|    | 01 | 1  | 5  | 13 | 9  |
|    | 11 | 3  | 7  | 15 | 11 |
|    | 10 | 2  | 6  | 14 | 10 |

$$W=BC$$

|    |    |    |    |    |    |
|----|----|----|----|----|----|
|    |    | AB |    |    |    |
|    |    | 00 | 01 | 11 | 10 |
| CD | 00 | 0  | 4  | 12 | 8  |
|    | 01 | 1  | 5  | 13 | 9  |
|    | 11 | 3  | 7  | 15 | 11 |
|    | 10 | 2  | 6  | 14 | 10 |

$$X=A\bar{B}+B\bar{C}$$

|    |    |    |    |    |    |
|----|----|----|----|----|----|
|    |    | AB |    |    |    |
|    |    | 00 | 01 | 11 | 10 |
| CD | 00 | 0  | 4  | 12 | 8  |
|    | 01 | 1  | 5  | 13 | 9  |
|    | 11 | 3  | 7  | 15 | 11 |
|    | 10 | 2  | 6  | 14 | 10 |

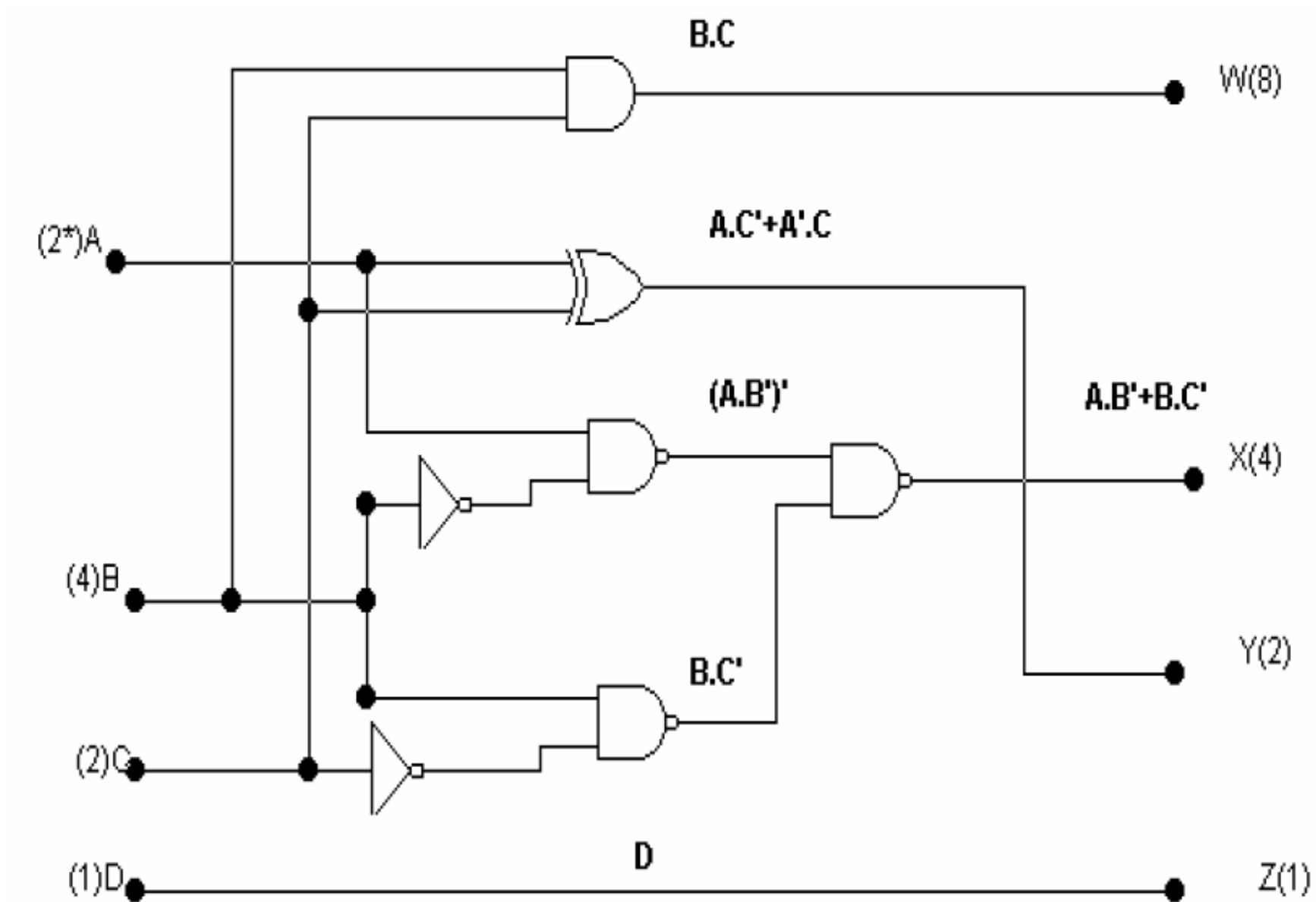
$$Y = A\bar{C} + \bar{A}C$$

|    |    |    |    |    |    |
|----|----|----|----|----|----|
|    |    | AB |    |    |    |
|    |    | 00 | 01 | 11 | 10 |
| CD | 00 | 0  | 4  | 12 | 8  |
|    | 01 | 1  | 5  | 13 | 9  |
|    | 11 | 3  | 7  | 15 | 11 |
|    | 10 | 2  | 6  | 14 | 10 |

$$Z = D$$

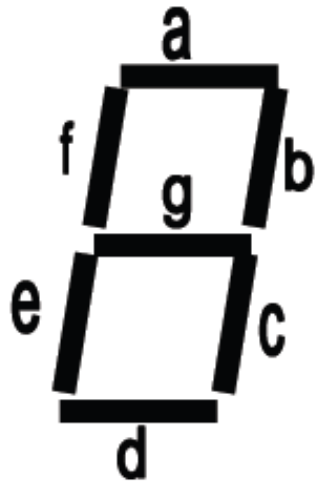


# Rangkaian $2^*421$ to BCD Converter



# JENIS-JENIS CODE CONVERTER...

## 3. Seven Segment Display Code



7 segments of display



Segments  
a, b, d, e, g  
ON for decimal 2

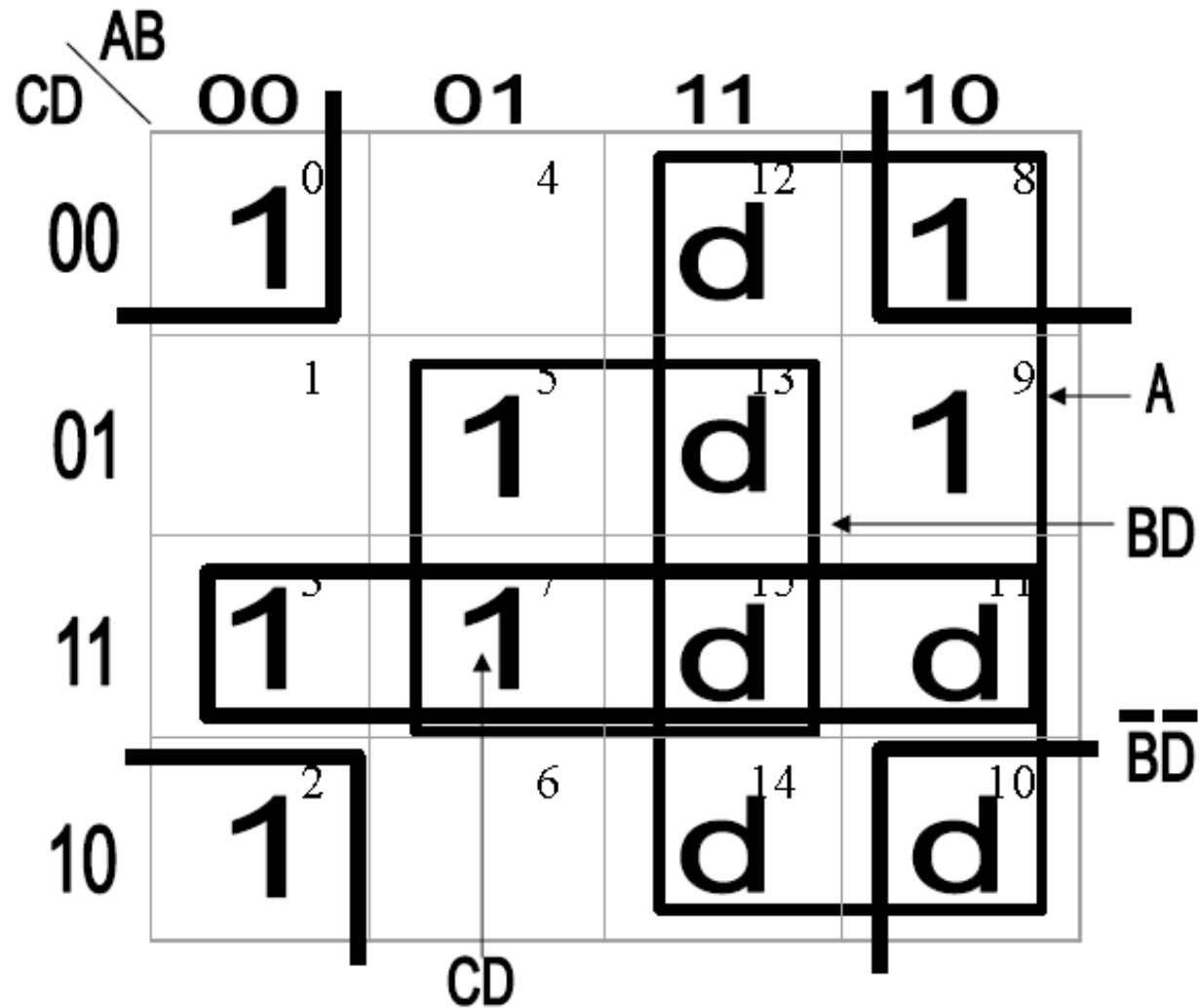


Segments  
a, b, c, d, g  
ON for decimal 3

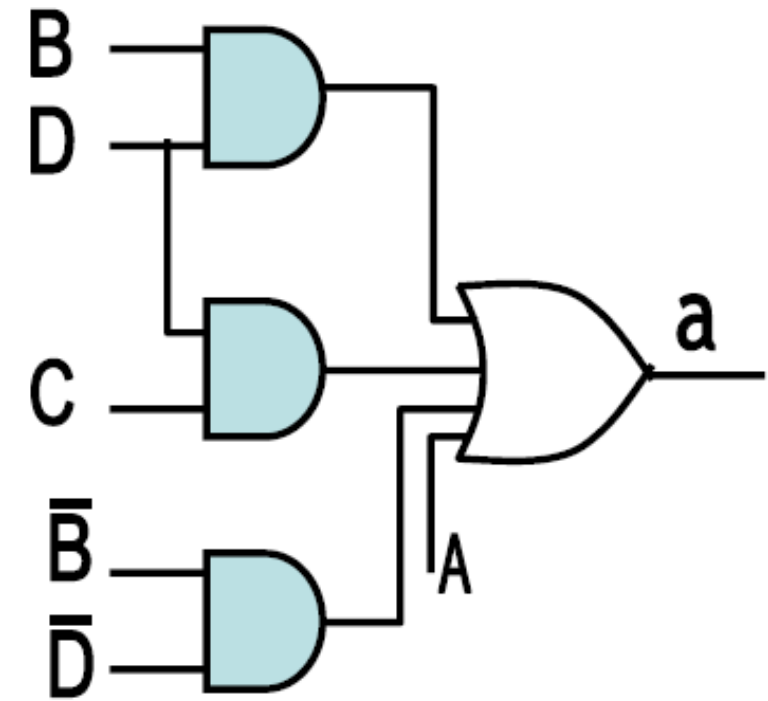
# TABEL CODE SEVEN-SEGMENTS DISPLAY

| <b>Map Value</b> | <b>A</b> | <b>B</b> | <b>C</b> | <b>D</b> | <b>a</b> | <b>b</b> | <b>c</b> | <b>d</b> | <b>e</b> | <b>f</b> | <b>g</b> |
|------------------|----------|----------|----------|----------|----------|----------|----------|----------|----------|----------|----------|
| <b>0</b>         | <b>0</b> | <b>0</b> | <b>0</b> | <b>0</b> | <b>1</b> | <b>1</b> | <b>1</b> | <b>1</b> | <b>1</b> | <b>1</b> | <b>0</b> |
| <b>1</b>         | <b>0</b> | <b>0</b> | <b>0</b> | <b>1</b> | <b>0</b> | <b>1</b> | <b>1</b> | <b>0</b> | <b>0</b> | <b>0</b> | <b>0</b> |
| <b>2</b>         | <b>0</b> | <b>0</b> | <b>1</b> | <b>0</b> | <b>1</b> | <b>1</b> | <b>0</b> | <b>1</b> | <b>1</b> | <b>0</b> | <b>1</b> |
| <b>3</b>         | <b>0</b> | <b>0</b> | <b>1</b> | <b>1</b> | <b>1</b> | <b>1</b> | <b>1</b> | <b>1</b> | <b>0</b> | <b>0</b> | <b>1</b> |
| <b>4</b>         | <b>0</b> | <b>1</b> | <b>0</b> | <b>0</b> | <b>0</b> | <b>1</b> | <b>1</b> | <b>0</b> | <b>0</b> | <b>1</b> | <b>1</b> |
| <b>5</b>         | <b>0</b> | <b>1</b> | <b>0</b> | <b>1</b> | <b>1</b> | <b>0</b> | <b>1</b> | <b>1</b> | <b>0</b> | <b>1</b> | <b>1</b> |
| <b>6</b>         | <b>0</b> | <b>1</b> | <b>1</b> | <b>0</b> | <b>0</b> | <b>0</b> | <b>1</b> | <b>1</b> | <b>1</b> | <b>1</b> | <b>1</b> |
| <b>7</b>         | <b>0</b> | <b>1</b> | <b>1</b> | <b>1</b> | <b>1</b> | <b>1</b> | <b>1</b> | <b>0</b> | <b>0</b> | <b>0</b> | <b>0</b> |
| <b>8</b>         | <b>1</b> | <b>0</b> | <b>0</b> | <b>0</b> | <b>1</b> | <b>1</b> | <b>1</b> | <b>1</b> | <b>1</b> | <b>1</b> | <b>1</b> |
| <b>9</b>         | <b>1</b> | <b>0</b> | <b>0</b> | <b>1</b> | <b>1</b> | <b>1</b> | <b>1</b> | <b>0</b> | <b>0</b> | <b>1</b> | <b>1</b> |

# K-Map dan Rangkaian untuk Output segment a :

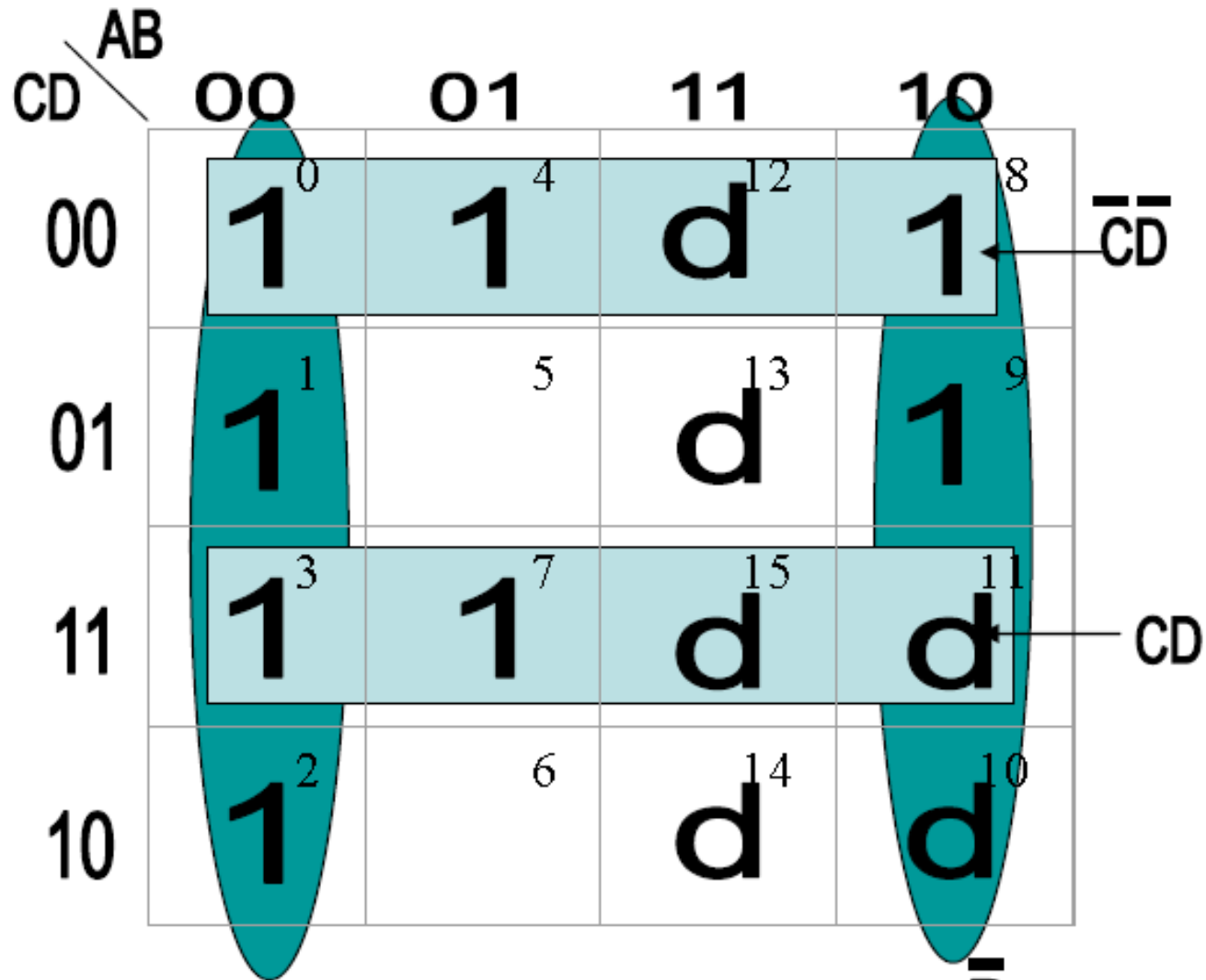


$$\text{Output } a = A + BD + \overline{BD} + CD$$

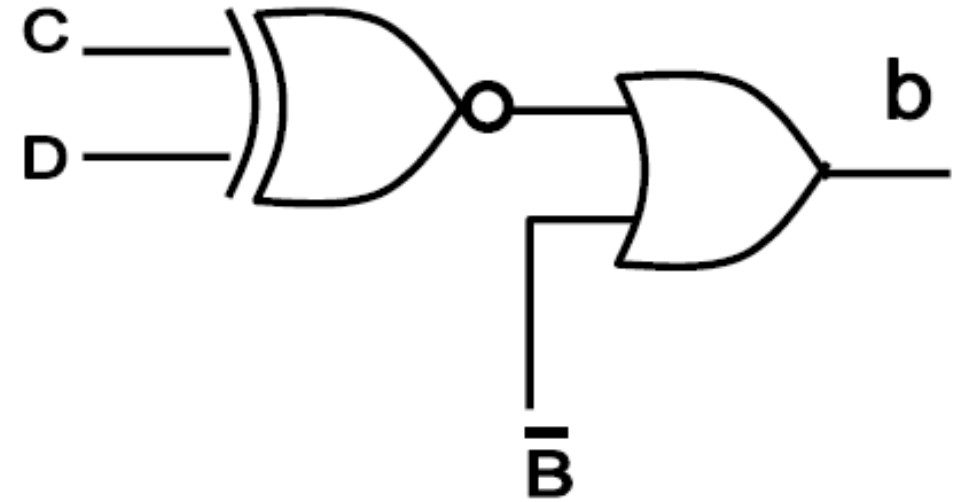


Rangkaian Logika untuk Output a

# K-Map dan Rangkaian untuk Output segment b :



$$\text{Output } b = \overline{B} + CD + \overline{C}\overline{D}$$



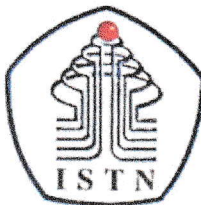
Rangkaian Logika untuk Output b

# SOAL LATIHAN

- 1) Buat sebuah rangkaian Multiplexer 4-line to 1-line dari gerbang NAND saja.
- 2) Disain sebuah rangkaian multiplexer **8x1** yang dibentuk dari 2 (dua) buah multiplexer **4x1** (Dual 4-line to 1-line Multiplexer 74153). Gunakan Enable input untuk mengaktifkan kedua mux tersebut.
- 3) Buat rangkaian yang mengkonversikan Binary Code 4 bit ke Gray Code.

**Terima Kasih**





# DAFTAR HADIR PESERTA KULIAH MAHASISWA GANJIL - REGULER - TAHUN 2023/2024

FAK / JURUSAN  
MATAKULIAH  
KELAS / PESERTA  
KURIKULUM  
DOSEN

Teknik Elektro S1  
Perancangan Sistem Digital / 22254SKD06 / 5  
A / 7  
2023  
1. Irmayani, Ir.MT.  
~~2. Taufik Hidayat Sol, ST., MT.~~  
2. M. Febriansyah, ST., MT

HARI / TANGGAL Kamis  
JAM KULIAH 08:00-10:30  
RUANG

Hal : 1 / 1

| No | N I M    | NAMA MAHASISWA            | TANGGAL PERTEMUAN  |                    |                    |                    |                    |                    |                    | JUMLAH |     |   |  |
|----|----------|---------------------------|--------------------|--------------------|--------------------|--------------------|--------------------|--------------------|--------------------|--------|-----|---|--|
|    |          |                           | 5/10/23            | 12/10/23           | 13/10/23           | 26/10/23           | 9/11/23            | 9/11/23            | 16/11/23           |        | UTS |   |  |
| 1  | 20220001 | MUHAMMAD AGUNG RAHMANSYAH | X                  | X                  | X                  | X                  | X                  | X                  | X                  | X      |     |   |  |
| 2  | 20220004 | MUHAMMAD RAFLY JULIANSYAH | <i>[Signature]</i> | <i>[Signature]</i> | <i>[Signature]</i> | <i>[Signature]</i> | <i>[Signature]</i> | <i>[Signature]</i> | <i>[Signature]</i> | ✓      | ✓   |   |  |
| 3  | 20220007 | FAZRYAN DWICAHYA          | <i>[Signature]</i> | <i>[Signature]</i> | <i>[Signature]</i> | <i>[Signature]</i> | <i>[Signature]</i> | <i>[Signature]</i> | <i>[Signature]</i> | ✓      | ✓   |   |  |
| 4  | 20220009 | ABYAN SYAFIQ ANDANA PUTRA | <i>[Signature]</i> | <i>[Signature]</i> | <i>[Signature]</i> | <i>[Signature]</i> | <i>[Signature]</i> | <i>[Signature]</i> | <i>[Signature]</i> | ✓      | ✓   |   |  |
| 5  | 21220002 | WAHYU OCTAVIANO           | <i>[Signature]</i> | <i>[Signature]</i> | <i>[Signature]</i> | <i>[Signature]</i> | <i>[Signature]</i> | <i>[Signature]</i> | <i>[Signature]</i> | X      | ✓   | ✓ |  |
| 6  | 21220003 | HARRY TODING KARURUNG     | <i>[Signature]</i> | <i>[Signature]</i> | <i>[Signature]</i> | <i>[Signature]</i> | <i>[Signature]</i> | <i>[Signature]</i> | <i>[Signature]</i> | ✓      | ✓   |   |  |
| 7  | 23220701 | ANTONIUS PURWOSUTEDJO     | <i>[Signature]</i> | <i>[Signature]</i> | <i>[Signature]</i> | <i>[Signature]</i> | <i>[Signature]</i> | <i>[Signature]</i> | <i>[Signature]</i> | ✓      | ✓   |   |  |

### CATATAN :

Perubahan peserta hanya diperkenankan bila ada persetujuan tertulis dan Pelaksana Jurusan.

25/09/2023

Jakarta, .....

Dosen Pengajar,

*[Signature]*  
( Irmayani, Ir.MT. )





DAFTAR HADIR PESERTA KULIAH MAHASISWA  
GANJIL - REGULER - TAHUN 2023/2024

FAK / JURUSAN  
MATAKULIAH  
KELAS / PESERTA  
KURIKULUM  
DOSEN

Teknik Elektro S1  
Perancangan Sistem Digital / 22254SKD06 / 5  
A / 7  
2023  
1. Irmayani, Ir.MT.

HARI / TANGGAL Kamis  
JAM KULIAH 08:00-10:30

RUANG

2. ~~Taufik Hidayat Soi, ST., MT.~~  
2. M. Febriansyah, ST., MT

Hal : 1 / 1

| No | N I M    | NAMA MAHASISWA            | TANGGAL PERTEMUAN |      |       |              |              |              |              | JUMLAH       |          |
|----|----------|---------------------------|-------------------|------|-------|--------------|--------------|--------------|--------------|--------------|----------|
|    |          |                           | 30/11             | 7/12 | 14/12 | 21/12        | 28/12        | 04/01-24     | 11/01-24     |              | 18/01-24 |
| 1  | 20220001 | MUHAMMAD AGUNG RAHMANSYAH | X                 | X    | X     | X            | X            | X            | X            | X            |          |
| 2  | 20220004 | MUHAMMAD RAFLY JULIANSYAH | ✓                 | ✓    | ✓     | ✓            | ✓            | ✓            | ✓            | ✓            |          |
| 3  | 20220007 | FAZRYAN DWICAHYA          | ✓                 | ✓    | ✓     | <del>✓</del> | <del>✓</del> | <del>✓</del> | <del>✓</del> | <del>✓</del> |          |
| 4  | 20220009 | ABYAN SYAFIQ ANDANA PUTRA | ✓                 | ✓    | ✓     | <del>✓</del> | <del>✓</del> | <del>✓</del> | <del>✓</del> | <del>✓</del> |          |
| 5  | 21220002 | WAHYU OCTAVIANO           | ✓                 | ✓    | ✓     | <del>✓</del> | <del>✓</del> | <del>✓</del> | <del>✓</del> | <del>✓</del> |          |
| 6  | 21220003 | HARRY TODING KARURUNG     | ✓                 | ✓    | ✓     | <del>✓</del> | <del>✓</del> | <del>✓</del> | <del>✓</del> | <del>✓</del> |          |
| 7  | 23220701 | ANTONIUS PURWOSUTEDJO     | ✓                 | ✓    | ✓     | <del>✓</del> | <del>✓</del> | <del>✓</del> | <del>✓</del> | <del>✓</del> |          |

CATATAN :

Perubahan peserta hanya diperkenankan bila ada persetujuan tertulis dari Pelaksana Jurusan.

Jakarta, .....

Dosen Pengajar,

( Irmayani, Ir.MT. )

25/09/2023

# DAFTAR NILAI

## SEMESTER GANJIL REGULER TAHUN 2023/2024

Program Studi : Teknik Elektro S1  
Matakuliah : Perancangan Sistem Digital  
Kelas / Peserta : A  
Perkuliahan : Kampus ISTN Bumi Srengseng Indah  
Dosen : Irmayani, Ir.MT.

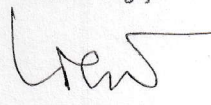
Hal. 1/1

| No | NIM      | N A M A                   | ABSEN | TUGAS | UTS | UAS | MODEL | PRESENTASI | NA   | HURUF |
|----|----------|---------------------------|-------|-------|-----|-----|-------|------------|------|-------|
|    |          |                           | 10%   | 20%   | 30% | 40% | 0%    | 0%         |      |       |
| 1  | 20220001 | Muhammad Agung Rahmansyah | 50    | 0     | 0   | 0   | 0     | 0          | 0    | X     |
| 2  | 20220004 | Muhammad Rafly Juliansyah | 100   | 90    | 65  | 95  | 0     | 0          | 85.5 | A     |
| 3  | 20220007 | Fazryan Dwicahya          | 100   | 90    | 75  | 95  | 0     | 0          | 88.5 | A     |
| 4  | 20220009 | Abyan Syafiq Andana Putra | 94    | 90    | 75  | 95  | 0     | 0          | 87.9 | A     |
| 5  | 21220002 | Wahyu Octaviano           | 94    | 50    | 65  | 59  | 0     | 0          | 62.5 | C+    |
| 6  | 21220003 | Harry Toding Karurung     | 100   | 90    | 70  | 95  | 0     | 0          | 87   | A     |
| 7  | 23220701 | Antonius Purwosutedjo     | 100   | 90    | 75  | 93  | 0     | 0          | 87.7 | A     |

| Rekapitulasi Nilai |   |    |   |    |   |    |   |
|--------------------|---|----|---|----|---|----|---|
| A                  | 5 | B+ | 0 | C+ | 1 | D+ | 0 |
| A-                 | 0 | B  | 0 | C  | 0 | D  | 0 |
|                    |   | B- | 0 | C- | 0 | E  | 0 |

Jakarta, 30 January 2024

Dosen Pengajar



Irmayani, Ir.MT.